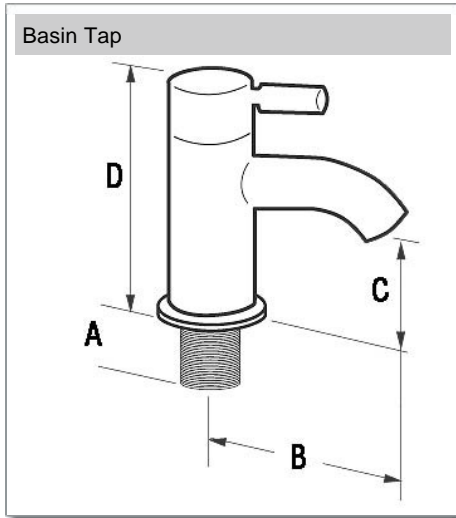




Visio Basin Tap



Code	Description	A	B	C	D
4K4016	VISIO BASIN TAP	55	75	35	95

Pegler Yorkshire reserve the right to change specifications

10 Year Guarantee Luxury Taps and Mixers

Pegler Yorkshire Customcare 10 Year Guarantee - Terms and Conditions

Product are subject to a 10 year guarantee that is between Pegler Yorkshire and the final purchaser of the product.

The guarantee is subject to proof of purchase being supplied.

This guarantee does not affect any statutory rights the consumer may have in law.

The guarantee covers manufacturing or material defects and does not cover parts subject to normal wear and tear.

Finishes other than chrome are covered for a period of 3 years only and the guarantee on the finish is subject to the cleaning instructions being followed.

The guarantee is not applicable where the product is fitted contrary to the conditions in the fitting instructions.

Abusive behaviour and accidental damage to the product are not covered by this guarantee.

The extent of this liability is limited to the cost of the replacement of the defective item and not to fitting or consequential damages.

Description	Minimum Operating Pressure (bar)	Maximum Cold Working Pressure (bar)	Maximum Hot Working Pressure (bar)
Basin Tap	0.1 bar	6.0 bar at temperatures up to 85oC	Not Suitable for Maximum Hot Working Pressure

Care

To maintain the surface finish, simply wipe occasionally with a mild detergent on a soft damp cloth. Dry, using a soft cloth. Never use abrasive cleaners or chemical household cleaners and avoid contact with concentrated bleach.

Maintenance

No regular maintenance is required for this product.

In case of complete replacement Pegler recommend service valves should be fitted to the supply inlets.

For any further help or replacement parts please contact the Service Support Team on 0800 1560050.

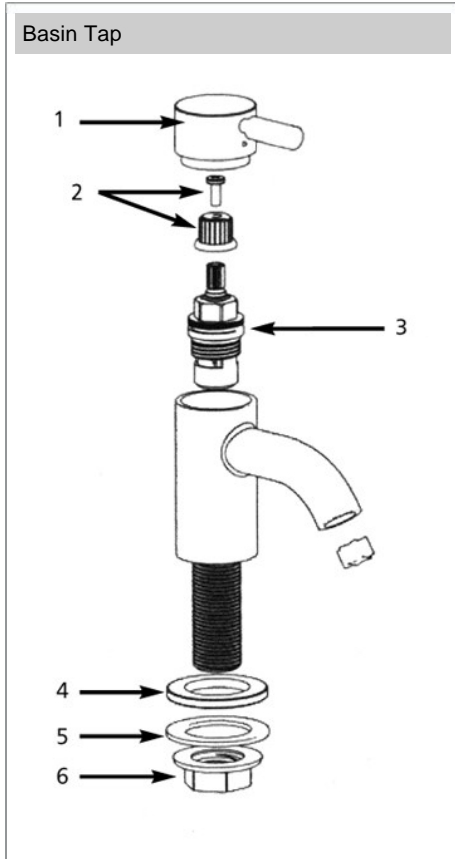
Regulations

It is important to ensure that the water supplies to your taps and mixers are connected in accordance with the water regulations (WRAS) requirements and good plumbing practice.

If the water flow streams are separate all the way to the outlet of the fitting, then there is no requirement to fit check valves to the cold and hot pipes even if the supply pressures are unbalanced.

It is recommended that in all new and refurbishment installations a thermostatic mixing valve should be installed on the hot inlet supply. The thermostatic mixing valve is designed to prevent scalding when using the hot water supply.

Component	Material
Body	Cast Brass
Backnut	Forged Brass
Anti-rotational washer	Polyethelene
Head	Brass Bar
Spindle	Brass Bar
Seals	Rubber
Seat Washer	Rubber
Valve	Brass Bar
Headwork Washer	Stainless Steel



1						
Spare Key	Description	Code	Barcode	Date From	Date To	Price (£) ex VAT
1	HDC44CP HANDLE COLD CHROME	854027	5013866064265	01/09/2003	To Current	£33.92
1	HDH44CP HANDLE HOT CHROME	854029	5013866064289	01/01/1900	To Current	£33.92
2						
Spare Key	Description	Code	Barcode	Date From	Date To	Price (£) ex VAT
2	HFK2 HANDLE FIXING KIT	812422	5013866066740	01/01/1900	To Current	£2.97
3						
Spare Key	Description	Code	Barcode	Date From	Date To	Price (£) ex VAT
3	HKC28 CPT CD QT HEADWORK COLD 1/2	814042	5013866056390	01/09/2003	To Current	£36.46
3	HKH29 CPT CD QT HEADWORK HOT 1/2	814043	5013866056406	01/01/1900	To Current	£36.46
4						
Spare Key	Description	Code	Barcode	Date From	Date To	Price (£) ex VAT
4	FL16CP WALL FLANGE CHROME	854007	5013866064081	01/01/1900	To Current	£12.37
5						
Spare Key	Description	Code	Barcode	Date From	Date To	Price (£) ex VAT
5	ARW2 1/2 ANTI ROTATIONAL WASHER	814162	5013866056758	01/01/1900	To Current	£1.51
6						
Spare Key	Description	Code	Barcode	Date From	Date To	Price (£) ex VAT
6	1/2 BN 915L BACKNUT	817074	5013866023385	01/01/1900	To Current	£2.32

Care and Maintenance

To maintain the surface finish simply wipe occasionally with a non abrasive detergent on a soft damp cloth and dry using a soft cloth. Never use abrasive household cleaners or chemical products. Avoid contact with concentrated bleach.

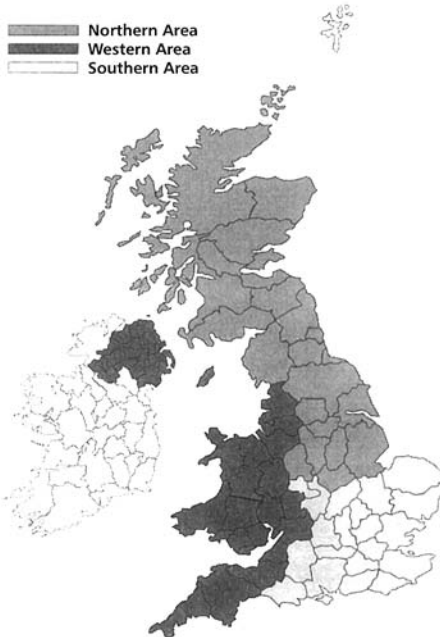
Pegler products are manufactured to the highest of standards and should require little or no maintenance. In the unlikely event of any spare part requirements please contact your nearest stockist or Pegler Limited, St Catherine's Avenue, Doncaster, South Yorkshire DN4 8DF.

Or contact us on the following numbers:

Northern Team
Tel: 0870 1200281
Fax: 01302 560108

Southern Team
Tel: 0870 1200282
Fax: 01302 560458

Western Team
Tel: 0870 1200283
Fax: 01302 560109



Your guide to the installation, care and maintenance of

Visio

Basin and Bath Taps



4k4016
Basin Taps



4k4017
Bath Taps

pegler

Before Starting

Thoroughly flush all pipework.

It is our recommendation and good plumbing practice that water supplies to the mixers should have equal pressure.

It is necessary to fit these products in accordance with WRAS water supply (water fittings) 1999 & water bylaws 2000 (Scotland).

Pre Installation Checks

1. Ensure that there is sufficient space to install the product without hampering its operation. Ensure that when fitted, the product does not foul or come into contact with the bath/basin overflow. When fitting in a corner position make sure there is sufficient clearance for use of the handles.
2. Ensure that the outlet clears any obstruction and projects sufficient into the bath/basin.
3. Water Supply Pressures. The product is designed to work in the range.

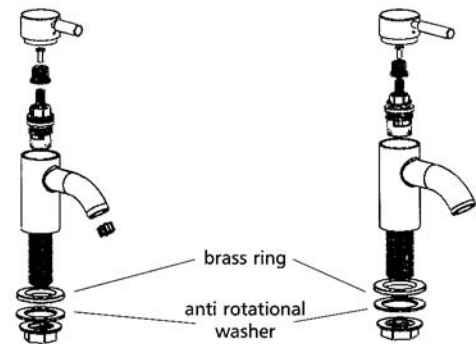
Minimum supply pressure 0.1 Bar.

Maximum supply pressure 10 Bar.

Basin Taps and Bath Taps

1. Identify Hot & Cold Pillar Taps by coloured marking.
2. Hot should be on the left and cold on the right when viewing pipe work from the front.
3. Before fitting tap through ware, ensure chrome base ring is located over the inlet tail with polished side facing upwards and anti rotational washer has been fitted (see Diagram) Fit tap through ware replace backnut and tighten.
4. Thoroughly flush pipe work prior to connecting tap to the supply.
5. Ensure the Hot & Cold handles are correctly positioned on the tap body. To re-position handles remove with a sharp pull and replace accordingly.

Note: The tap should be securely fitted to the ware prior to connection of water supply.



1/2" basin taps and 3/4" bath taps